

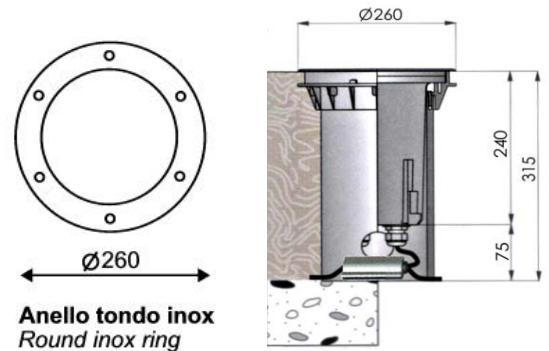
Sentry-6

Surfaced Inground Uplight

Premium quality, high-grade architectural buried uplight luminaires, Lumitron's Sentry-6, specifically designed for indirect lighting applications especially decorative upward lightings such as tree uplights, facades, fences, perimeters, guided lights, garden lights. Suitable for walkways, hotels, shopping arcades, garden areas, indoor applications for prestigious projects, landmarks.

Specifications

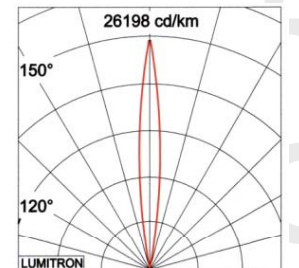
- Front ring in stainless-steel for superior corrosion resistance.
- Corrosion resistant stainless steel trim and stainless steel body.
- Two layers, toughened safety glass, heat-resistant type.
- Stainless steel screws, and durable silicone rubber gaskets.
- Anodized aluminium reflector chemically brighten.
- Optional light distribution patterns: symmetrical narrow beam, wide symmetrical beam, wide asymmetrical beam.
- Halogen 50-100W, metal halide lamp 70-150W adjustable lamp position $\pm 15^\circ$.
- HPS double-ended lamp 2000°K, 70-150W.
- Symmetric reflector 20° beam. Optional: narrow 6° beam.
- Lampholders: G12 or RX7s base, heat resistant, high impulse 4kV, ceramic type. Adjustable position for asymmetrical effect.
- Control gear: built-in type, HPF system. Lumitron employs only anti-cycling, super-imposed ignitor, to avoid ballast failures during ends of lamp life.
- Vandal- and shock-resistant construction for walk-over and car drive-over 4,000kg at max. 30 km/h .
- Mechanical glass shock resistance 25 Joules.
- Protection level IP67 dust-tight and immersion-proof, Class I Electrical conforming to DIN,VDE, and IEC. Class III for 12V power supply lamp i.e. halogen lamp.
- Installation: recessed mounting with polypropylene tube for recessed.



Anello tondo inox
Round inox ring



Concrete Set Box



Extra Narrow Sym. Beam 6°

Halogen 12V QR111 Lamp

- ❑ 8 degree: 48,000 Candela
- ❑ 24 degree: 8,500 Candela
- ❑ 45 degree: 2,800 Candela

LUMITRON REF.	Lamp	Lumen	Color Temp	Base	Remark
ST-6-16W LED	LED PAR38 16W	1,200	3,000K, 6,500K	E27	Wide Symmetric
ST-6-150CDM-T	CDM-T 150W	12,700	4,200K	G12	Wide Symmetric
ST-6-70HPS-DE-WA	HPS 70W	7,000	2,000K	RX7s	Wide Asymmetric
ST-6-150HPS-DE-WA	HPS 150W	15,000	2,000K	RX7s	Wide Asymmetric
ST-6-70MH-T-VNS	MH 70W	5,200	3,000-4,200K	G12	Narrow Symmetric 6°
ST-6-70MH-DE-VNA	MH 70W	5,200	3,000-4,200K	RX7s	Narrow Asymmetric 6°
ST-6-70MH-DE-WA	MH 70W	5,200	3,000-4,200K	RX7s	Wide Asymmetric
ST-6-150MH-T-VNS	MH 150W	12,000	3,000-4,200K	G12	Narrow Symmetric 6°
ST-6-150MH-T-VNA	MH 150W	12,000	3,000-4,200K	G12	Narrow Asymmetric 6°
ST-6-150MH-WS	MH 150W	12,000	3,200-4,000K	E27	Wide Symmetric
ST-6-150MH-DE-WA	MH 150W	11,250	3,000-4,200K	RX7s	Wide Asymmetric